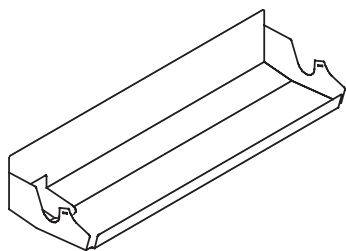


ADDENDUM

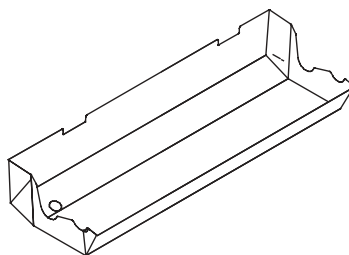
For Those Systems with Detachable Wiper Holder

Your new C2000 “*Quick Change*” system uses detachable wiper holders. This design is used to allow for better ink movement in the pan. Follow the instructions below to assemble your system using the detachable wiper holder(s). Please note that the DIP Company makes “*Quick Change*” systems for many different flexo presses, so your starter kit may not look exactly as shown below, but is used in the same way.

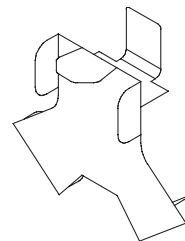
COMPONENTS



STEEL RETAINER



LINER

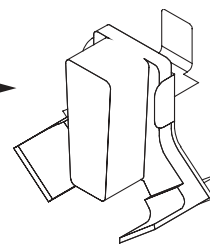
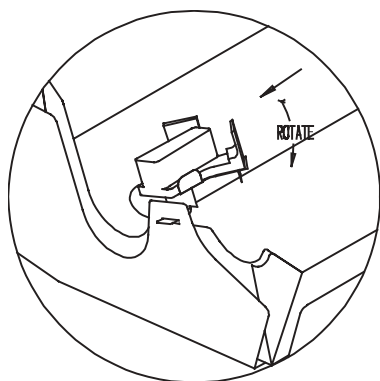


DETACHABLE WIPER HOLDER

Insert the liner in the steel retainer.

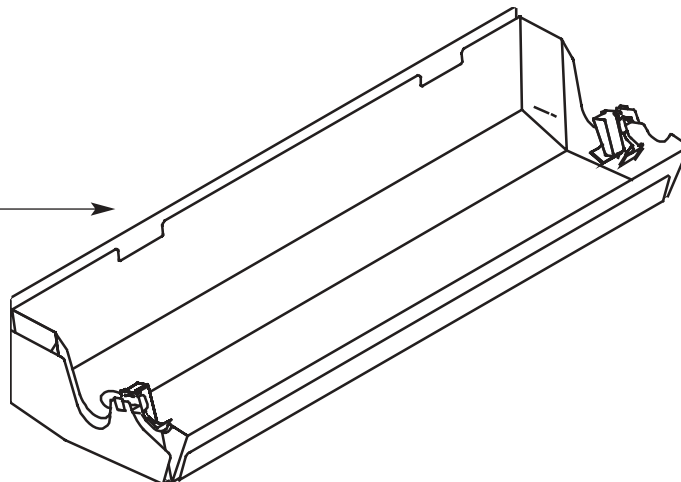
Attach a C2000 Wiper to the detachable wiper holder, as shown.

Attach wiper holder to retainer, as shown below.



DETACHABLE WIPER HOLDER WITH WIPER

The assembled system will look like this:



Continue attaching hose, standpipes, etc, as shown on the C2000 instruction sheet.

CORPORATE
OFFICE
10740 Lyndale
Avenue South,
Bloomington,
MN 55420

Phone
952-888-5991

Fax
952-888-6467

www.
dipworldwide.com

WESTERN
OFFICE
1173 3800 Lane
Paonia,
CO 81428

Phone
970-527-7879

Fax
970-527-7878

